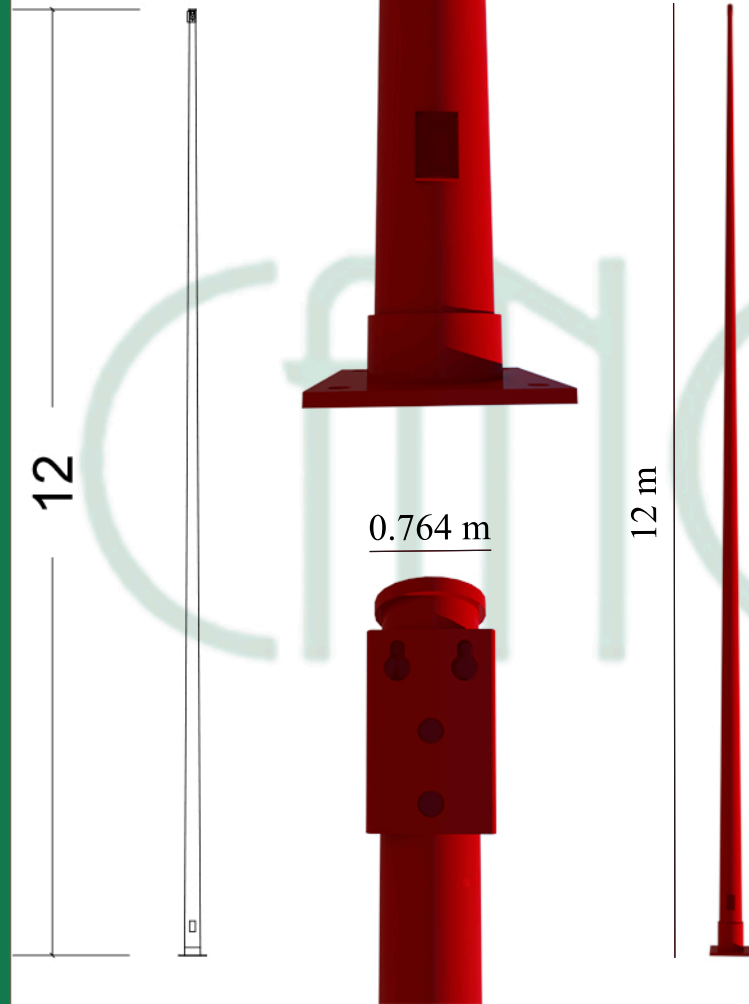


POSTE CÓNICO DE 12 M



CANOVA

REGISTRO

TIPO DE POSTE:	CONICO
ALTURA:	12 METROS
CALIBRE DE ACERO:	11
PESO:	146.94 Kg

7
10.5
1/8"

PERCHA

ESPIGA

ARRILLO

0.305
10
23.18

BASE

1 1/4"
27.5
35
1/2"

The image contains a technical specification sheet for a conical pole. It includes a table with the following data: TIPO DE POSTE: CONICO; ALTURA: 12 METROS; CALIBRE DE ACERO: 11; PESO: 146.94 Kg. Below the table are four technical drawings: 1. A rectangular hole with dimensions 7, 10.5, and 1/8 inch. 2. A drawing of a pin labeled 'PERCHA'. 3. A drawing of a shaft labeled 'ESPIGA'. 4. A drawing of a cylindrical bush labeled 'ARRILLO' with dimensions 0.305, 10, and 23.18. 5. A drawing of a square base plate labeled 'BASE' with dimensions 1 1/4 inch, 27.5, 35, and 1/2 inch.